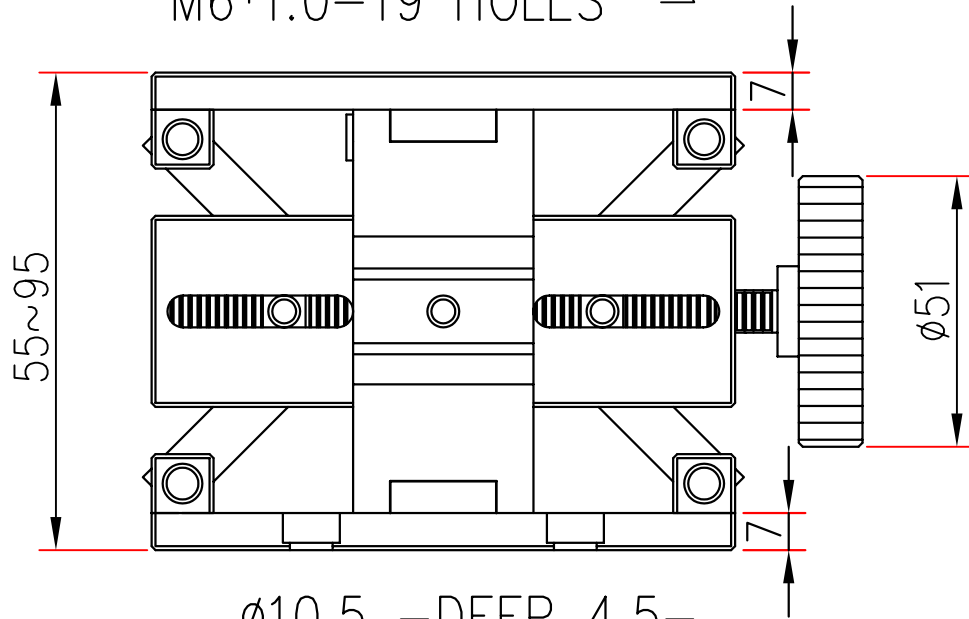


M4*0.7-8 HOLES
M6*1.0-19 HOLES



ø10.5 -DEEP 4.5-
DRILLø7-4 HOLES

