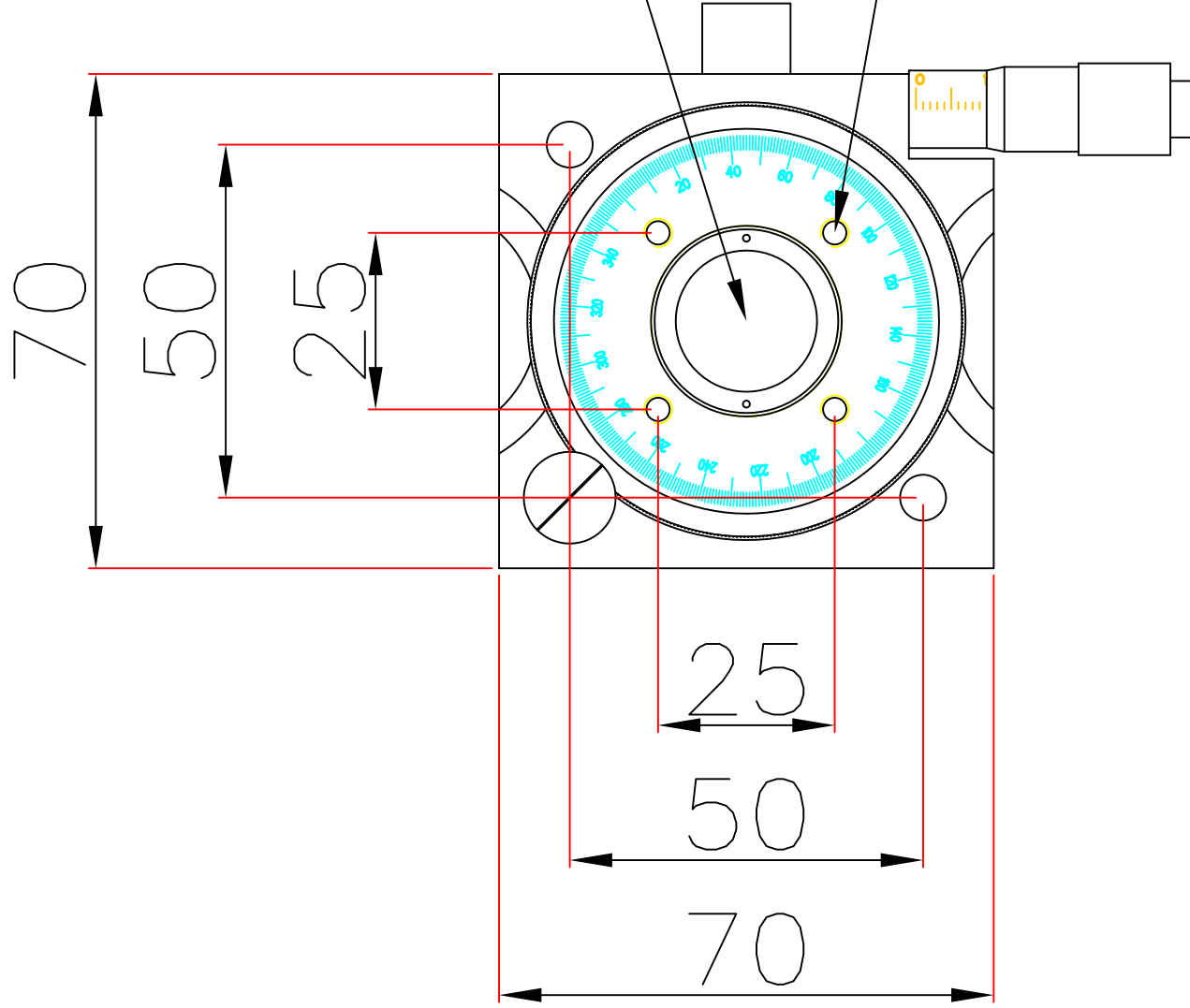


M27*1.0

M4*0.7-4 HOLES



M6*1.0

