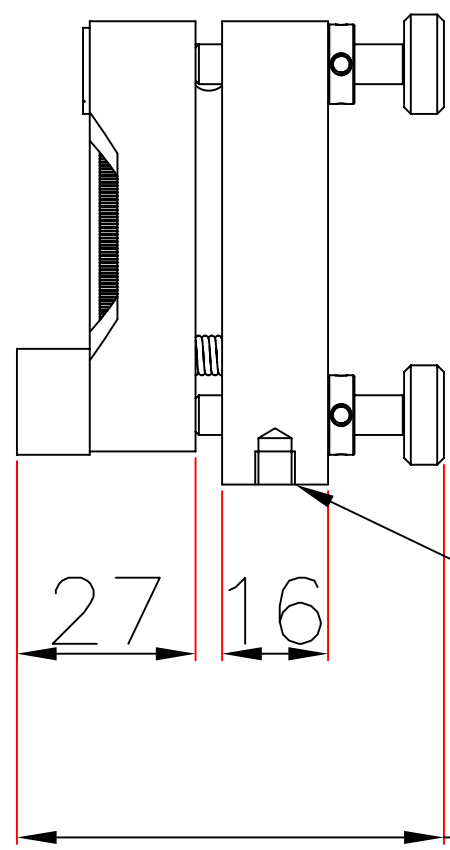


M4*0.7
- 4 HOLES

M27*1.0



M6*1.0

64.5 (参考)