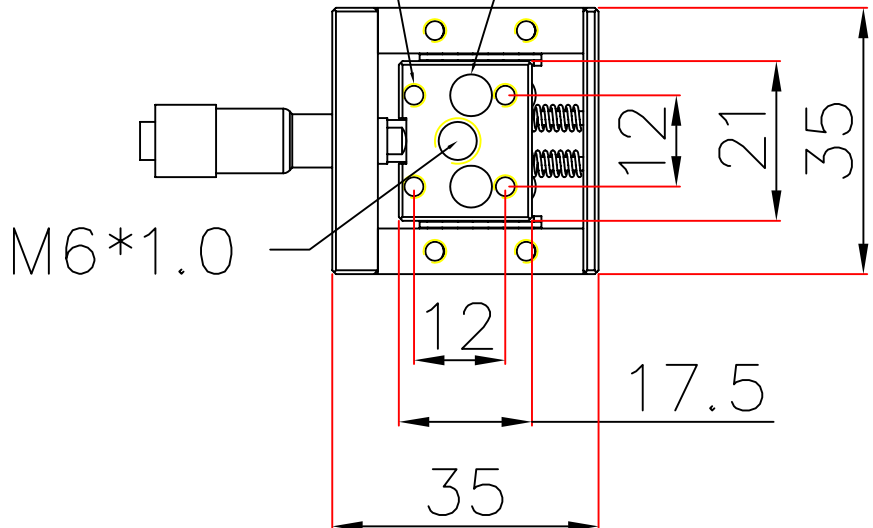
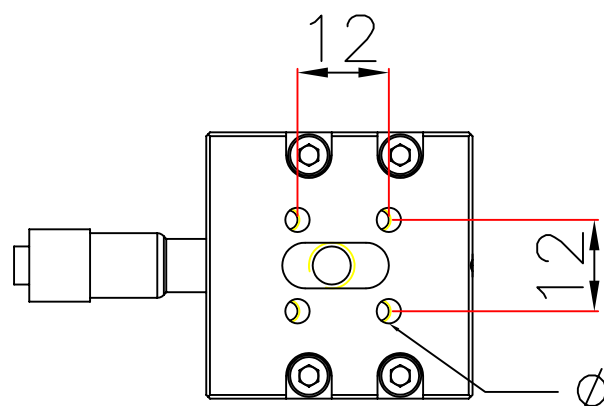
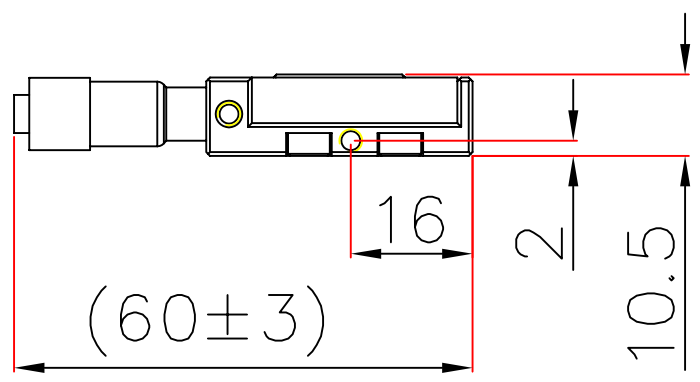


M3*0.5-4 HOLES

Ø5.5-2 HOLES



M6*1.0



Ø5.5-DEEP 3.2
-DRILL Ø3.2
-4 HOLES