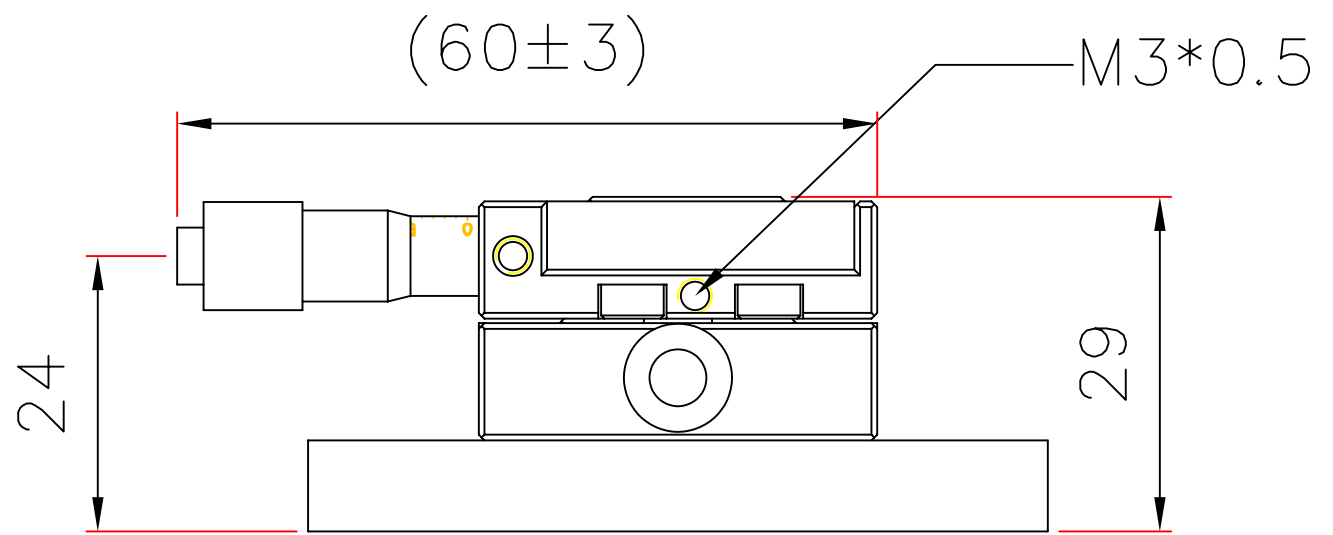
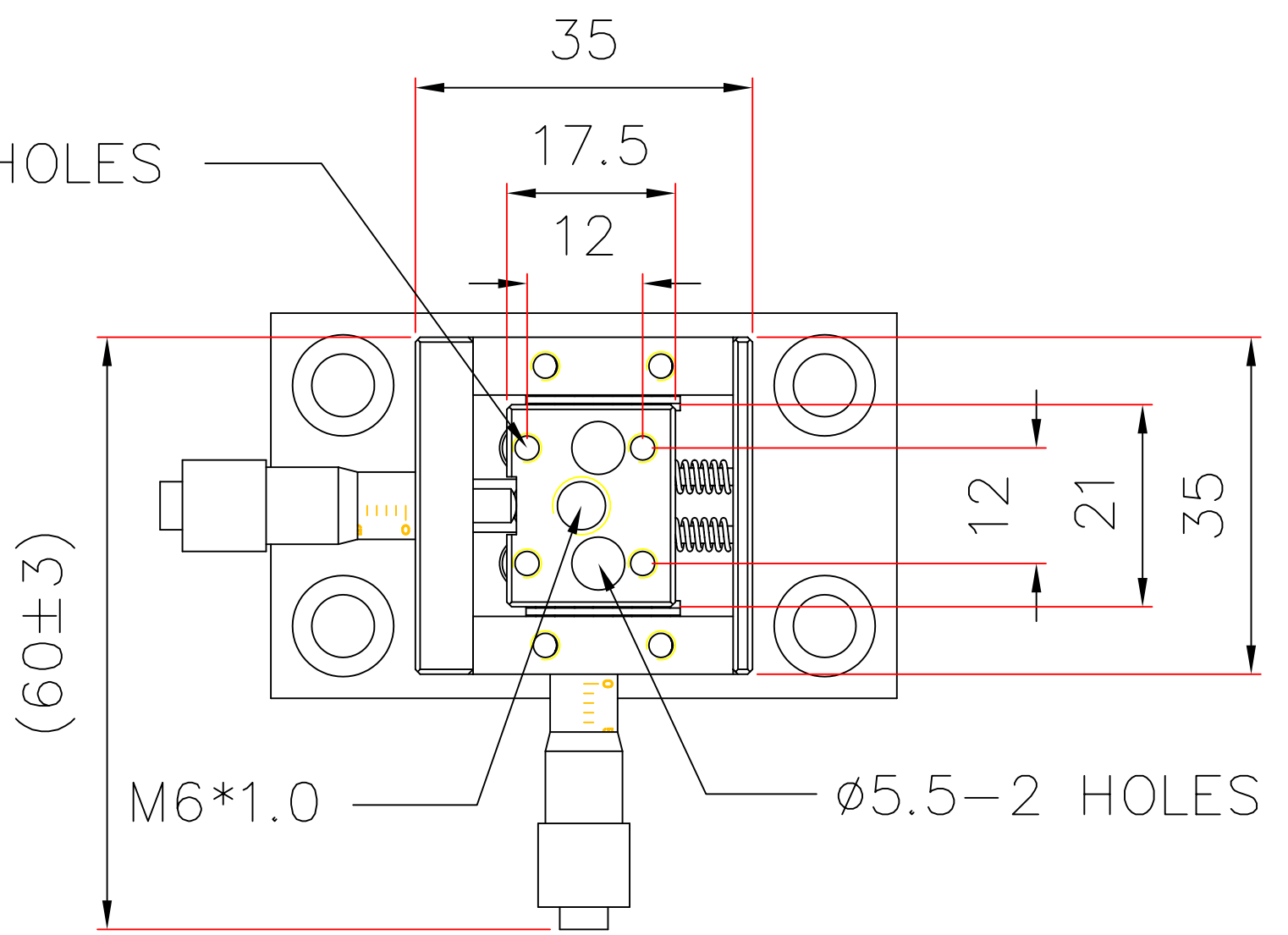


M3\*0.5-4 HOLES



Ø10.5-DEEP 6.5-  
DRILLØ6.5-4 HOLES

