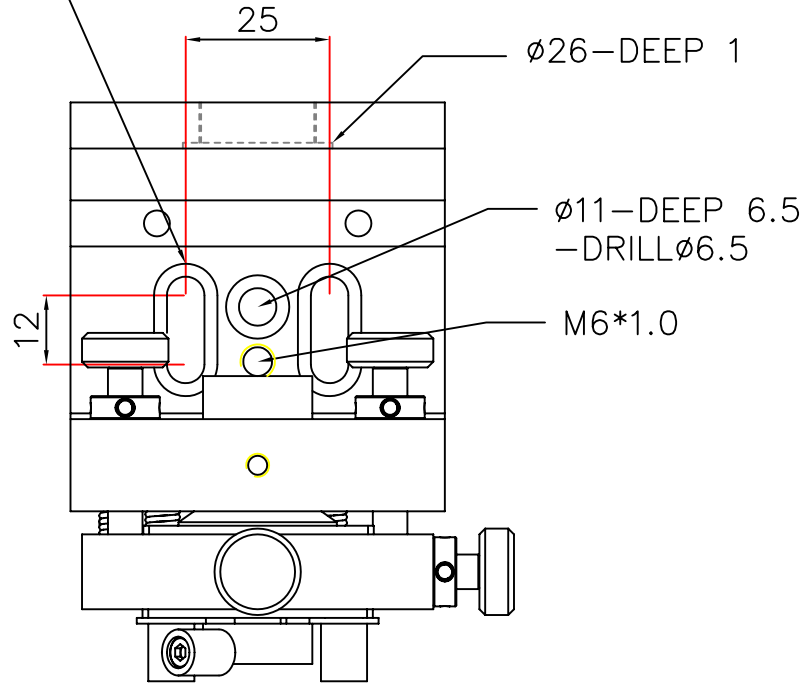


∅11-DEEP 6.5
-DRILL∅6.5
-2 HOLES



Stainless steel
M6*0.25(~1/4"-100)

