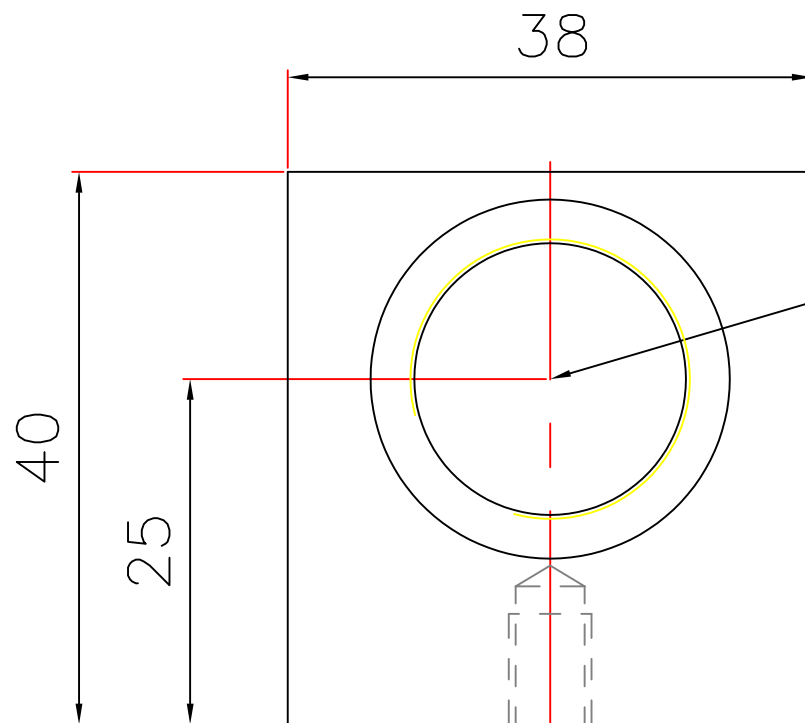
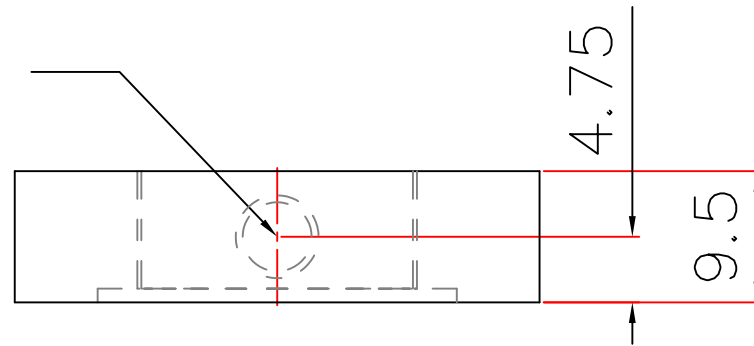


M6*1.0-DEEP 10



Ø26-DEEP 1
-DRILL 0.7965" - 36 TP
, 55° Whitworth