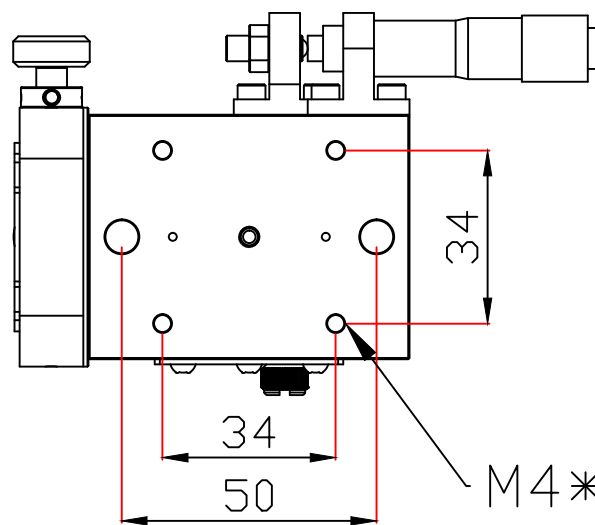
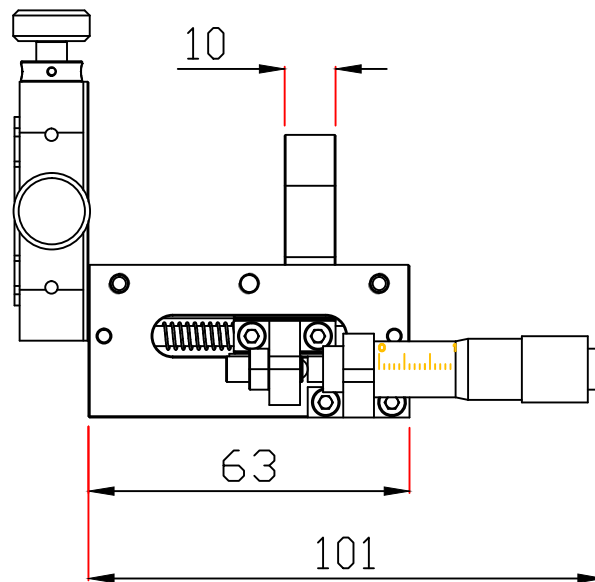


Ø11-Deep 6.5
 -Drill Ø6.5
 -2 Holes

0.8" - 36 TPI



M4*0.7
 -5 Holes