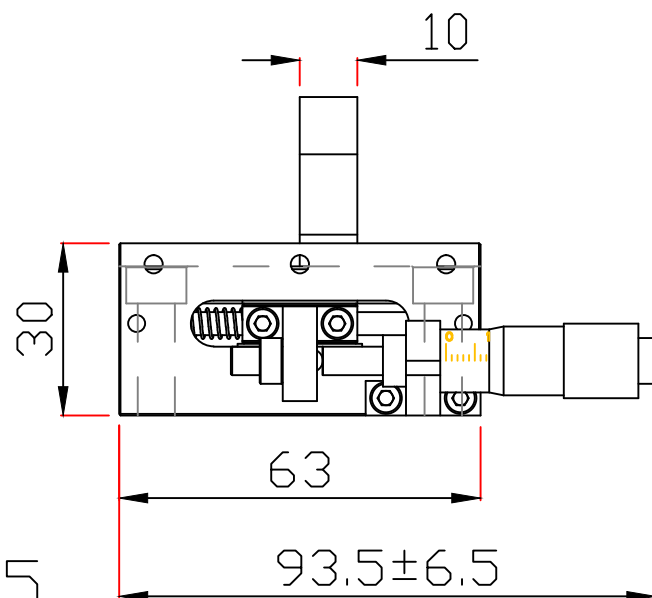
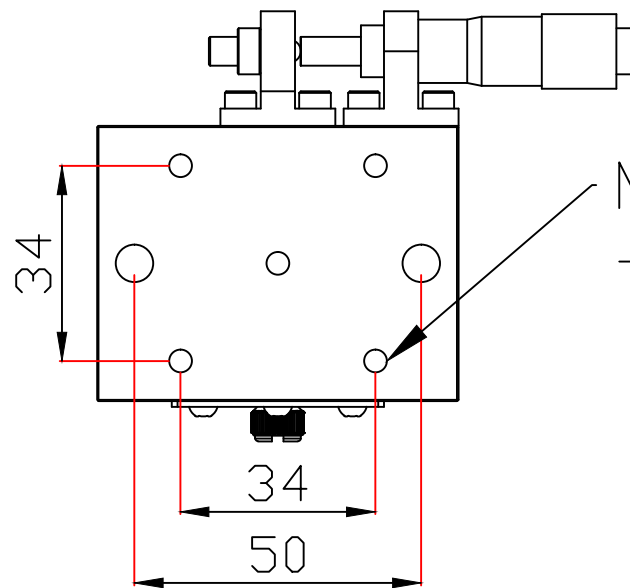


1.035" - 40 TPI



Ø11 - Deep  
 - Drill Ø6.5  
 - 2 Holes



M4\*0.7  
 - 5 Holes